

ADVANCED HIGH CEILING

# 4" Cylinder - Tunable White Version (ColorFlip™)



4-inch aperture high lumen cylinder with lumen output 1580 – 6070lm.

**- ColorFlip™**

Utilize latest flip chip technology for optimum efficacy, delivering consistent high lumen output with 105LPW at CRI85+ when color tuning from 2700K to 6500K. Compatible to all 0-10V and DMX dimming controls.

Standard version available, please refer to Standard spec sheet for more details.

Quantity		Type	
Project		Note	

## Delivered Lumens\*

ColorFlip™	2700K	3000K	3500K	4000K	4500K	5000K	5700K	6500K	*Lumen Multiplier 40° baseline 0.82 60° 0.82
<b>DMX</b> CCT Signal (%)	0%	10%	25%	45%	60%	70%	85%	100%	
<b>0-10V</b> CCT Voltage	0	1	2.5	4.5	6	7	8.5	10	
65W	3820 lm	4035 lm	4255 lm	4470 lm	4435 lm	4395 lm	4355 lm	4320 lm	
45W	2985 lm	3085 lm	3190 lm	3290 lm	3310 lm	3330 lm	3350 lm	3370 lm	
35W	2543 lm	2628 lm	2717 lm	2802 lm	2819 lm	2836 lm	2853 lm	2870 lm	
25W	2175 lm	2185 lm	2200lm	2210 lm	2270 lm	2335 lm	2400 lm	2460 lm	
15W	1545 lm	1585 lm	1630lm	1670 lm	1690 lm	1710 lm	1730 lm	1750 lm	
<b>CRI</b>	<b>85</b>	<b>86</b>	<b>87</b>	<b>88</b>	<b>89</b>	<b>88</b>	<b>87</b>	<b>86</b>	

### Electrical System

- 15W, 25W, 35W, 45W, 65W
- Power Input: Universal (120-277V)
- Operating Temperature: -13°F~104°F
- Surge Protection: 2.5KV

### LED Technology

- ColorFlip™ (Tuning White: 2700K ↔ 6500K)
- 85+ CRI
- Beam Angle: 40°, 60° (with diffuser)
- Glowing Ring Option
- Rated Life > 60,000 Hours (L70)

### Warranty

- 5 year limited warranty

### Advanced Dimming

(Proprietary VX Driver is incorporated to all dimming options for video flicker-free lighting)

- DMX: high resolution 4,096 steps to <0.1% (2 channel)
- Superior 0-10V: dims to less than 1% (2 channel)
- 1 channel control dimming. 1 channel control CCT.

### Housing

- Diameter: 4.8" (122mm)
- Height: 12.6" (320mm)
- Material: Aluminum
- Weight: 8 lbs

### Mounting

- Surface Mount
- Stem 2ft or 4ft; 45° Swivel Canopy Included
- Adjustable Aircraft Cable 10ft
- Yoke Mount



# 4" Cylinder - Tunable White Version (ColorFlip™)




## How To Specify:

**Ordering Example: 4CS-65-TNW-UNV-DMX-40-GLR-WHT-AD10**

**4-5 weeks lead time on over 75% of specifications.**

Model	Wattage	CCT	Voltage	Dimming
<b>4CS</b>		<b>TNW</b>		
<b>4CS</b> 4 inch Cylinder	<b>15</b> 15W <b>25</b> 25W <b>35</b> 35W <b>45</b> 45W <b>65</b> 65W	<b>TNW</b> 2700K - 6500K	<b>UNV</b> 120-277V	<b>SPV</b> Superior 0-10V <1% <b>DMX</b> DMX <0.1% (XLR Sockets) <b>DMX(RJ45)</b> DMX <0.1% (RJ45 Sockets)

Beam Angle	Rim Finish	Finish	Mounting
<b>40</b> 40° <b>60*</b> 60° (with diffuser)	 <b>STD</b> Without Ring <b>GLR</b> Glowing Ring	<b>BLK</b> Black <b>WHT</b> White	<b>SUM</b> Surface Mount <b>ST2</b> Stem 2ft <b>ST4</b> Stem 4ft <b>AD10</b> Adjustable Cable 10ft <b>YKM</b> Yoke Mount
<p>*Please factor in change in lumen output with diffuser (-20% with 60°; -12% with other degrees).</p>			

## Accessories

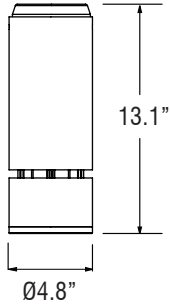
- DF\*** Diffuser
- EMP** Remote Emergency Pack

\*Please factor in change in lumen output with diffuser (-20% with 100°; -12% with other degrees).

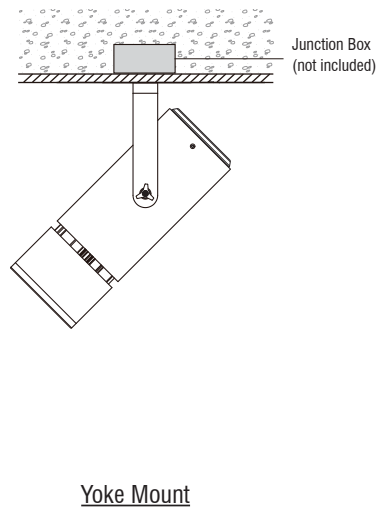
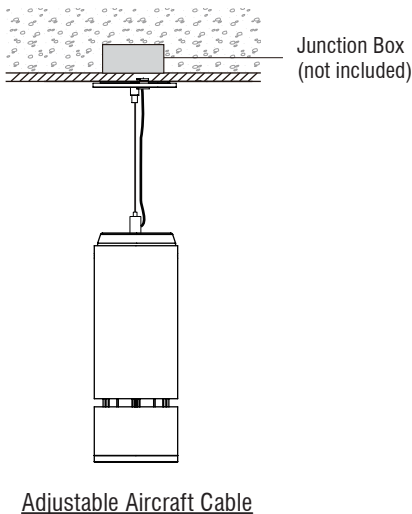
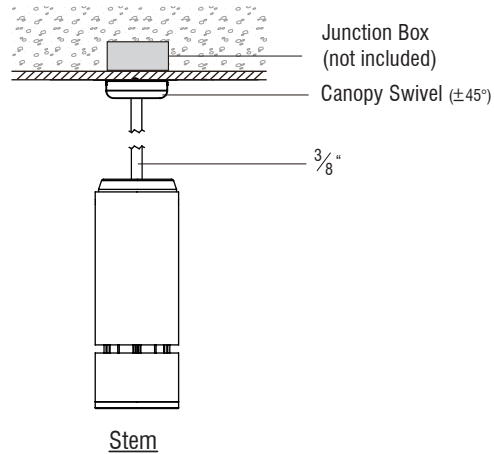
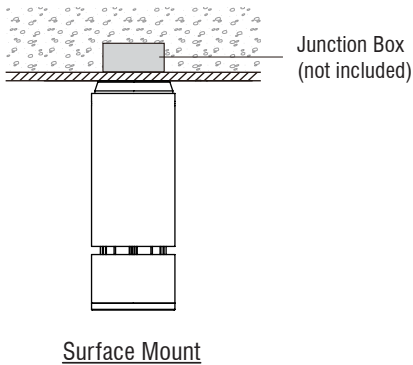
# 4" Cylinder - Tunable White Version (ColorFlip™)



## Dimensions



## Mounting Options



# 4" Cylinder - Tunable White Version (ColorFlip™)

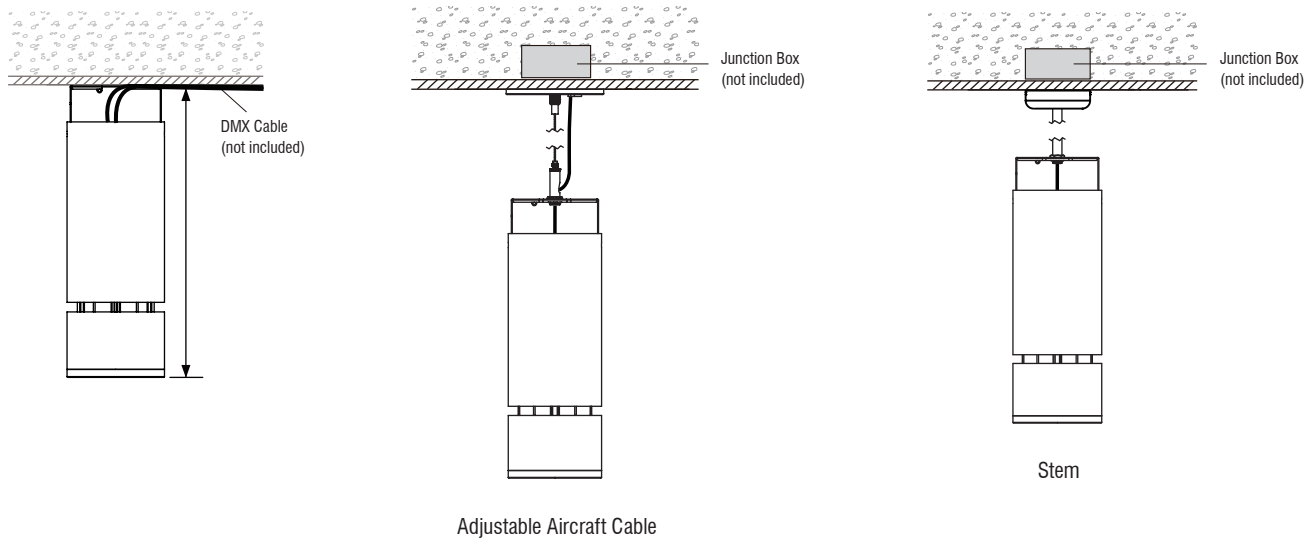


## DMX Requirements\*

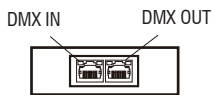
Each 4" Cylinder DMX unit has TWO CHANNELS per fixture (1 to control intensity, 1 to control color).  
 Fixture will be controlled by DMX number controlling intensity.  
 We do not recommend more than 15 fixtures per DMX daisy chain.  
 When placing order, please indicate DMX address (refer to DMX Address example below).  
 DMX address will be listed on the back of each fixture.

Fixture	DMX Address	
	Intensity Control (ex. X)	Color Control (ex. X+1)
#1	1	2
#2	3	4
#3	5	6

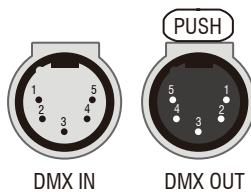
The LED fixture provide RJ45 Socket or XLR socket to connect. (DMX cable NOT included.)  
 The final fixture should be terminated by the use of DMX Terminator (by others).



### RJ45 Sockets



### XLR Sockets



CONNECTION	RJ45 (CAT5e)	5-PIN XLR
Common	WHITE/BROWN(PIN7) & BROWN(PIN 8)	PIN 1
Signal -	ORANGE(PIN 2)	PIN 2
Signal +	WHITE/ORANGE(PIN 1)	PIN 3
Spare		PIN 4
Spare		PIN 5

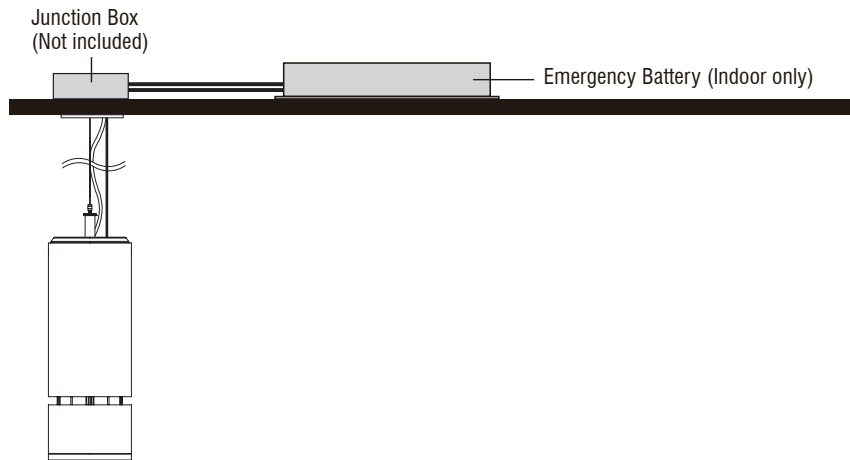
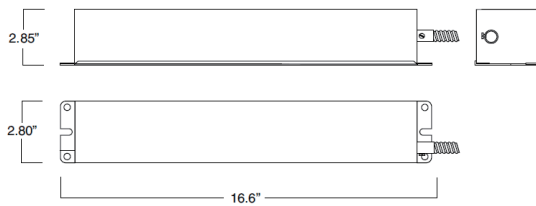
# 4" Cylinder - Tunable White Version (ColorFlip™)



## Emergency Pack Lumen Output Table

CCT	2700K	3000K	4000K	5000K
Lumen	1640 lm	1760 lm	1890 lm	1950 lm

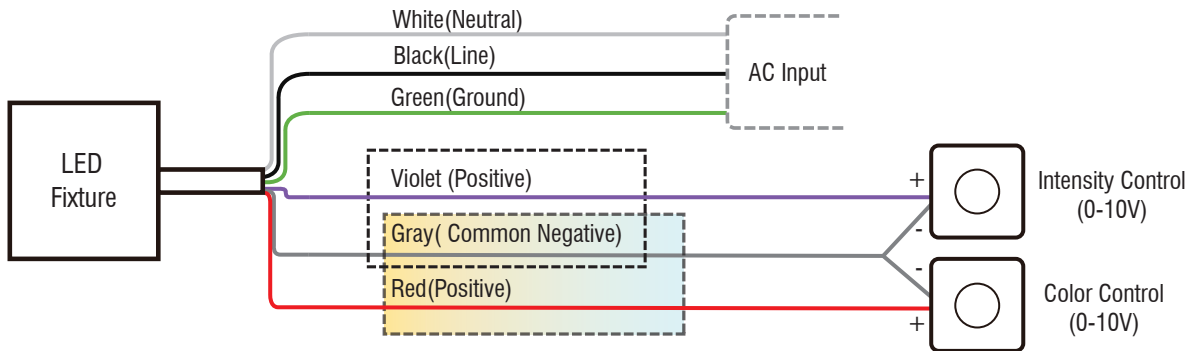
## Remote Emergency Pack



# 4" Cylinder - Tunable White Version (ColorFlip™)



## Superior 0-10V Wiring Diagram



## DMX Wiring Diagram

